

Application Note

Introduction

e2v AT84AS003/4 10-bit 1.5 Gsps or 2 Gsps ADC with 1:2/4 combined DMUX, feature two independent reset signals DRRB and ASYNCRST which must be used to start the device properly. As DRRB and ASYNCRST are not active at the same level (DRRB active low and ASYNCRST active high) they should be applied simultaneously, one possible way to implement both signals is to use the positive and negative signals of a differential pair, thus ensuring that both resets occur simultaneously.

This Application note provides some ideas to implement the reset circuit for the AT84AS003 or AT84AS004 (please refer to the last version available of the device datasheet, reference 0808 and 0829 respectively).

1. AT84AS003 DRRB and ASYNCRST

1.1 Description

There are two reset signals available for the AT84AS003/4: DRRB and ASYNCRST. These reset signals DRRB and ASYNCRST are required to start the device properly.

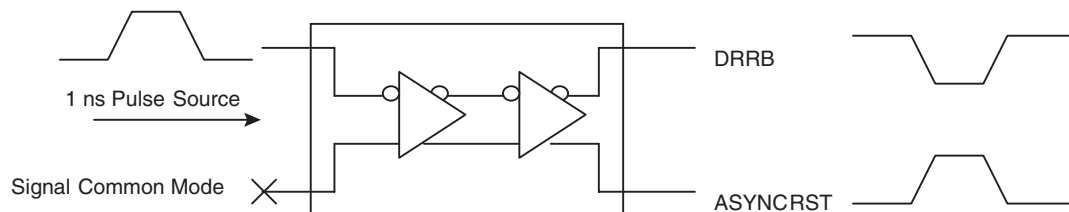
It is recommended to apply both reset signals at the same time and to hold the input clock low during reset. See [“Timing Requirements” on page 4](#).

- The DRRB / ASYNCRST signal frequency should be 200 MHz maximum
- The reset pulse should be 1 ns minimum
- DRRB is active low while ASYNCRST is active high

As it is recommended to apply both reset signals simultaneously, one possible solution is to use a differential driver so that DRRB and ASYNCRST are generated as the two signals of a differential pair. This would allow for both the simultaneous application of the signals to the device and a simple way to drive both signals.

An example is provided in [Figure 1-1](#) (principle of operation).

Figure 1-1. AT84AS003/4 DRRB and ASYNCRST Driver Scheme



2. Electrical Characteristics

Table 2-1. DRRB and ASYNCRST Absolute Maximum Ratings

Parameter	Symbol	Value	Unit
ADC reset	DRRB	-0.3 to $V_{CCA} + 0.3$	V
DMUX asynchronous reset	ASYNCRST	-0.3 to $V_{CCD} + 0.3$	V

Table 2-2. DRRB and ASYNCRST Recommended Conditions of Use

Parameter	Symbol	Recommended	Unit
ADC reset	DRRB	2.5V ECL, HSTL, LVCMOS levels	V
DMUX asynchronous reset	ASYNCRST	2.5V ECL, HSTL, LVCMOS levels	V

Table 2-3. DRRB and ASYNCRST Electrical Characteristics

Parameter	Symbol	Min	Typ	Max	Unit
DRRB Logic low Logic high Threshold	DRRB	0	V_{CCA} 1.4	1.0	V
		1.6			V
ASYNCRST Logic low Logic high Threshold	ASYNCRST	0	V_{CCD} 1.4	1.0	V
		1.6			V

3. Case When the Input Clock Is Held Low During Reset

3.1 Timing Diagrams

Figure 3-1. Asynchronous Reset Timing Diagram, 1:2 Mode, Simultaneous Mode, Input Clock Held Low During Reset (Principle of Operation)

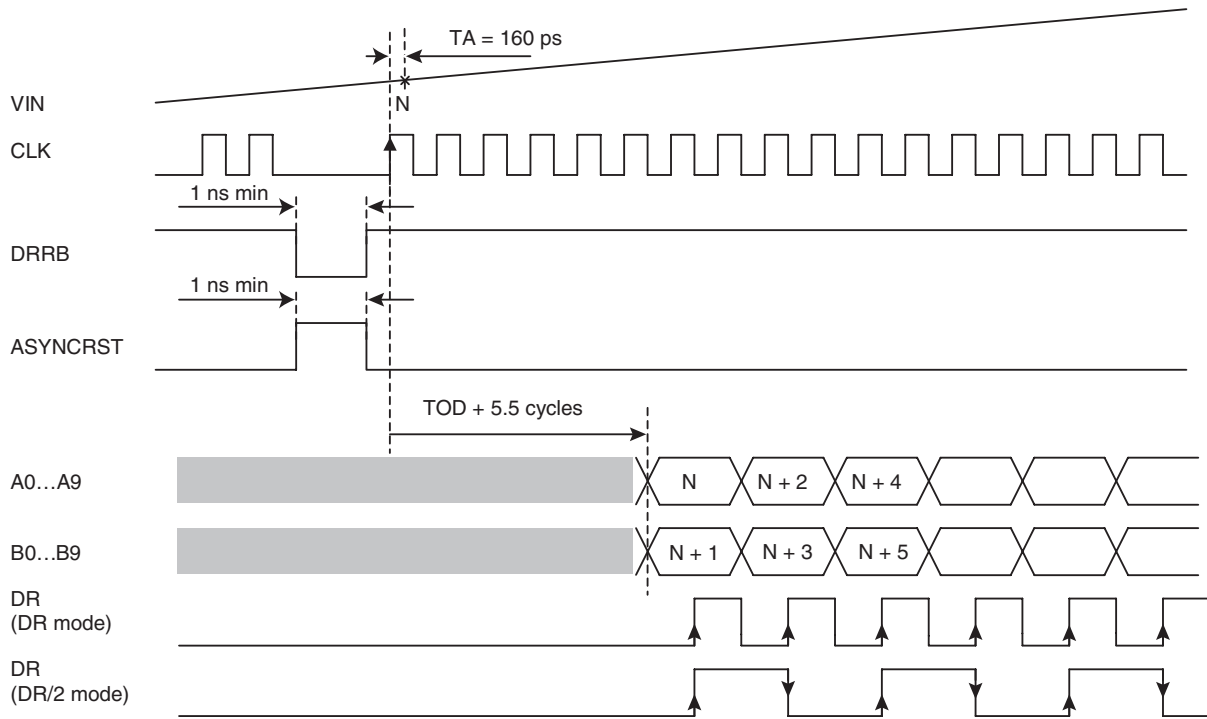
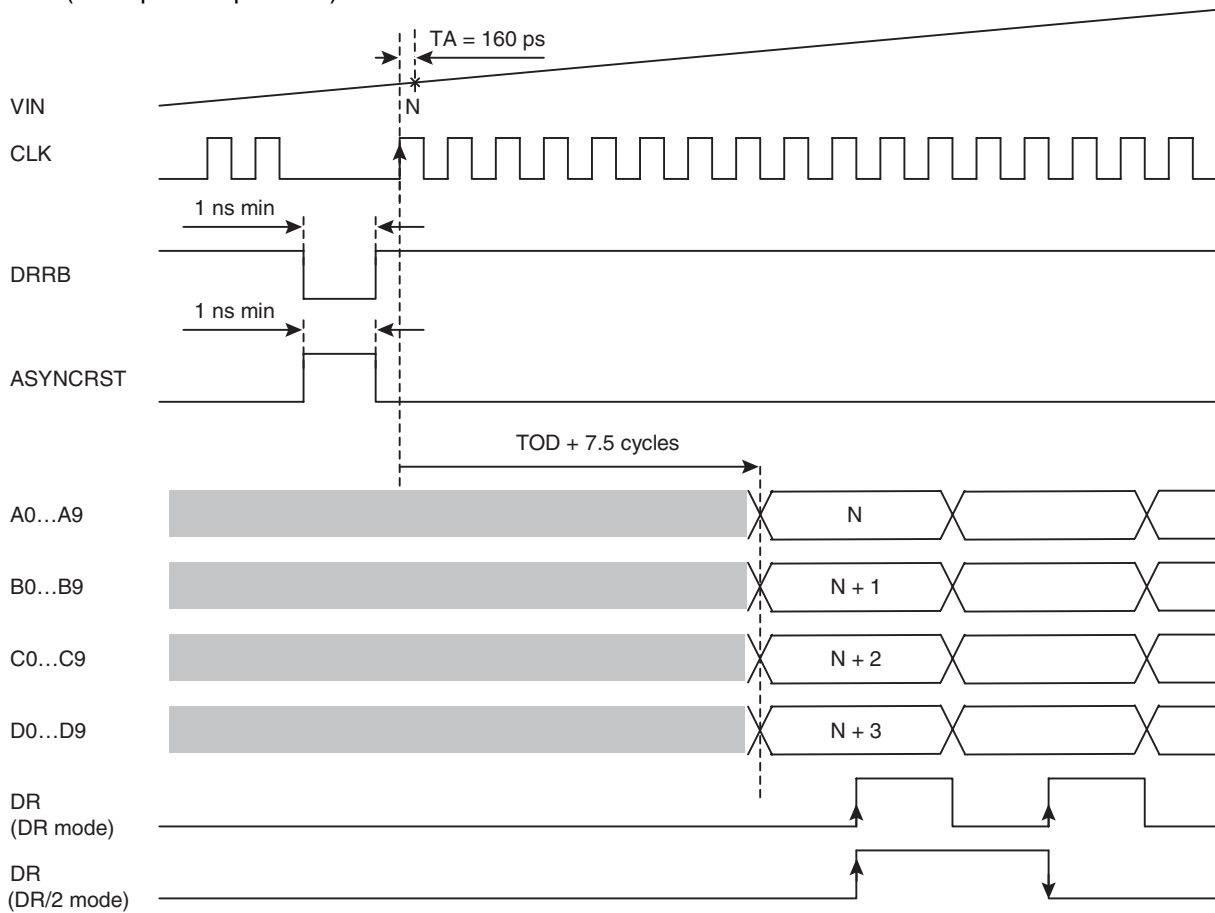


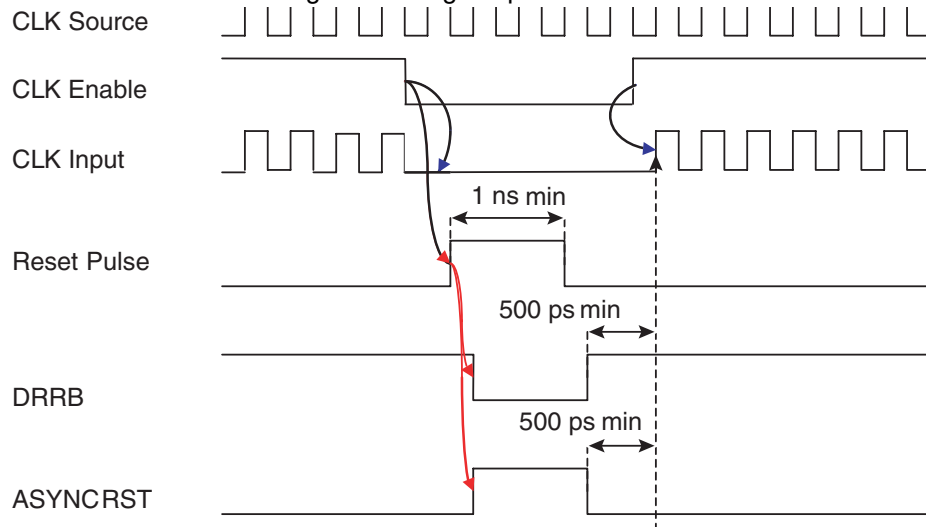
Figure 3-2. Asynchronous Reset Timing Diagram, 1:4 Mode, Simultaneous Mode, Input Clock Held Low During Reset (Principle of Operation)



3.2 Hardware Implementation

3.2.1 Timing Requirements

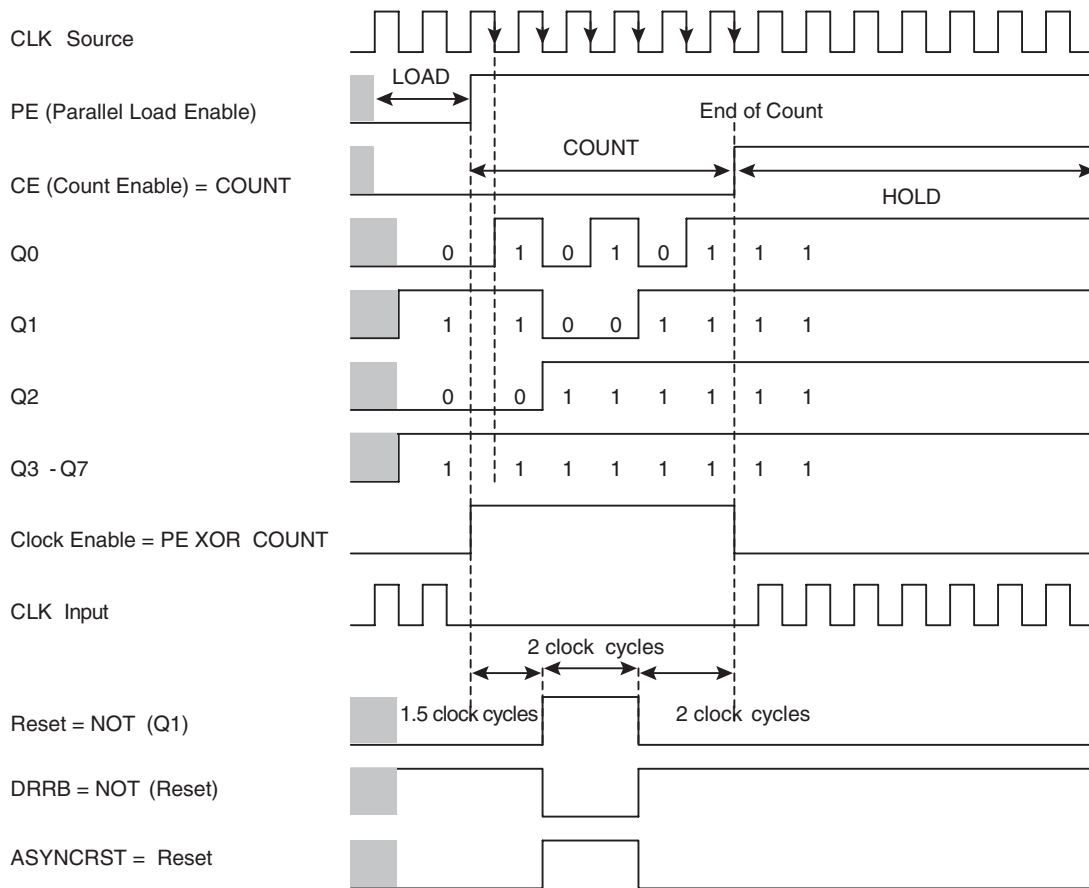
Figure 3-3. AT84AS003/4 Reset Signals Timing Requirements



3.2.2 Example of Synopsis

In the following section, [Figure 3-4 on page 5](#) and [Figure 3-5 on page 6](#) give one alternative solution to implement the clock and reset circuitry using discrete components.

Figure 3-4. AT84AS003/4 Reset Signals Implementation Timing Diagram using a Binary Up Counter



In [Figure 3-4 on page 5](#), the theoretical timing diagram is presented as a possible way to satisfy the timing requirements described in [Figure 3-3 on page 4](#). The idea is to ensure that the reset signals:

1. Are applied only 1.5 clock cycles after the input clock is held low (thanks to an enable signal)
2. Last at least 2 clock cycles (satisfying the requirement of 1 ns minimum since the maximum frequency of operation of the ADC is 2 Gsps, yielding a clock cycle of 500 ps)
3. And are released after 2 clock cycles (satisfying the requirement of 500 ps minimum before the clock restarts)

With the use of one counter, both the reset signals and the enable signal needed for the clock driver are generated.

The example given in [Figure 3-5 on page 6](#) gives a possible implementation. However, the part within the dotted rectangle will not be further explained in the following section as it might be more easily implemented in an FPGA for example. This is why the stress is only led on the differential buffer to be used as the reset signals driver.

Table 3-1. Differential Buffer/Gates Examples (For Information Only)

Manufacturer	Part Number	Description	Input Compatibility	Output Compatibility	Max Frequency	Propagation Delay	VCC
On Semiconductor	MC100LVEP14	Clock Driver	ECL/PECL/HSTL	ECL/PECL	2 GHz	400 ps	3.3V
Micrel	SY898830	Clock Driver	PECL/LVPECL ECL/HSTL	PECL	2.5 GHz	450 ps	3.3V
On Semiconductor	MC10EP08	XOR Gate	ECL	ECL	3 GHz	250 ps	3.3V
Micrel	SY10EP08	XOR Gate	ECL	ECL	3 GHz	200 ps	3.3V
On Semiconductor	MC10LVEP16	Differential Driver	ECL	ECL	4 GHz	240 ps	3.3V
On Semiconductor	NB6L11	Differential Driver/translator	ECL	ECL	6 GHz	150 ps	2.5V
Micrel	SY58012U	Differential Driver/translator	LVPECL/LVDS/ CML	LVPECL	5 GHz	260 ps	2.5V
Micrel	SY89311U	Differential Driver	PECL/LVPECL/E CL	ECL/PECL	3 GHz	300 ps	3.3V
Micrel	SY8985	Differential Driver/translator	LVPECL/CML/ LVDS	LVPECL	2 GHz	380 ps	2.5V
On Semiconductor	MC100EP016A	Counter	ECL	ECL	1.4 GHz	550 ps	3.3V

4. Case When the Input Clock Is Not Held Low During Reset

4.1 Timing Diagrams

Figure 4-1. Reset Timing Diagram, 1:2 Mode, Simultaneous Mode

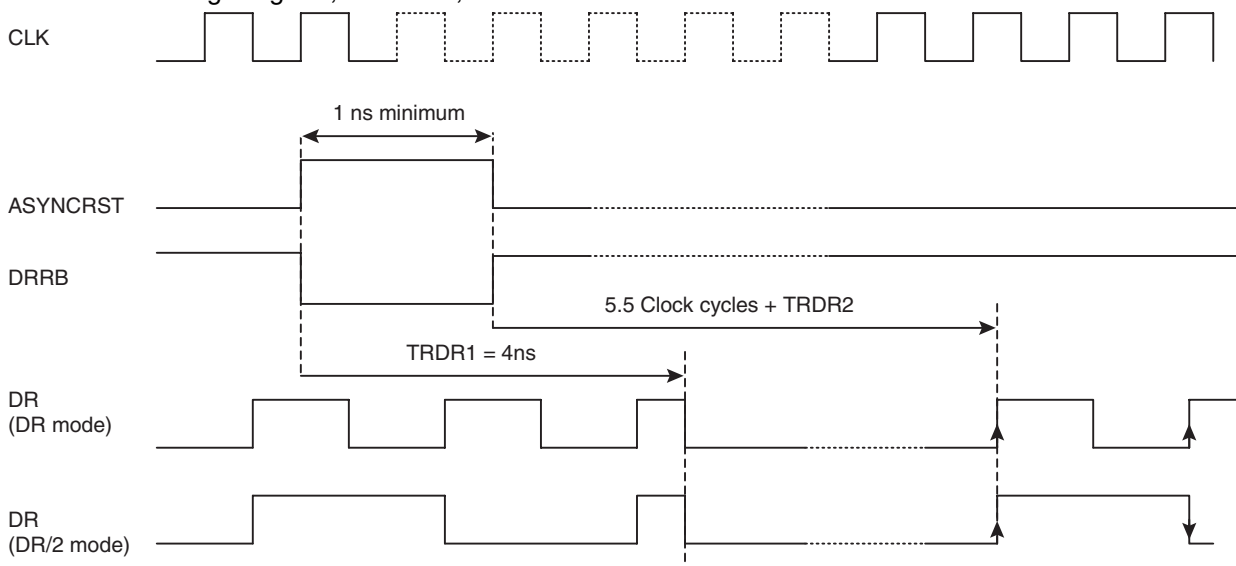


Figure 4-2. Reset Timing Diagram, 1:4 Mode, Simultaneous Mode

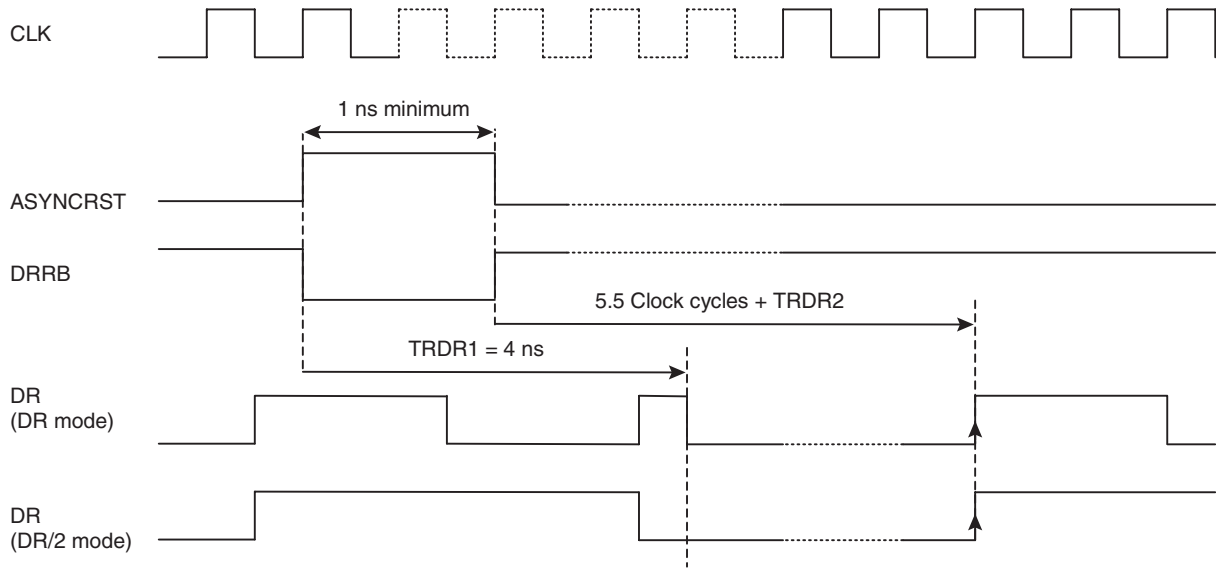
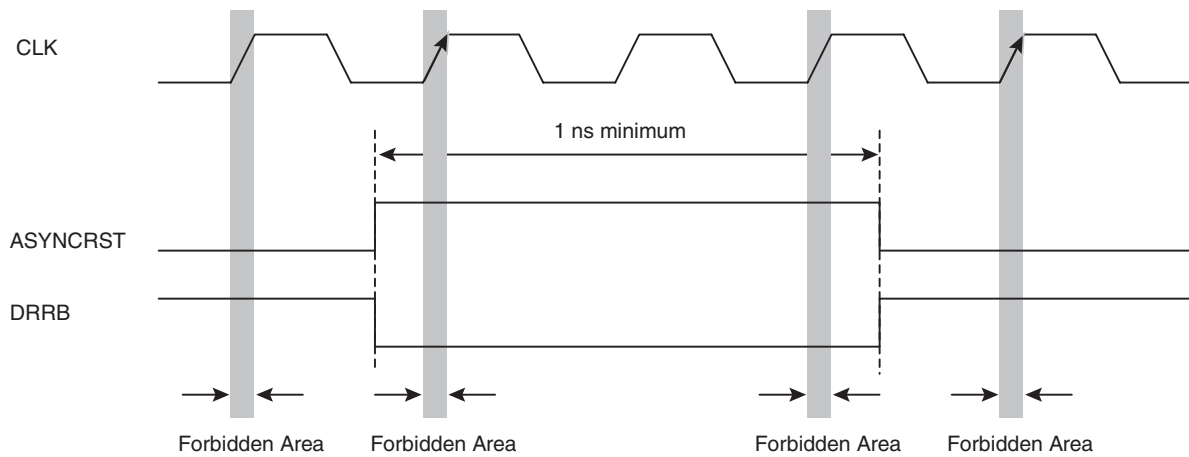


Figure 4-3. Reset Timing Requirements



The reset (activation or de-activation) is taken into account on the clock edge marked with an arrow.

Figure 4-4. Reset Forbidden Area

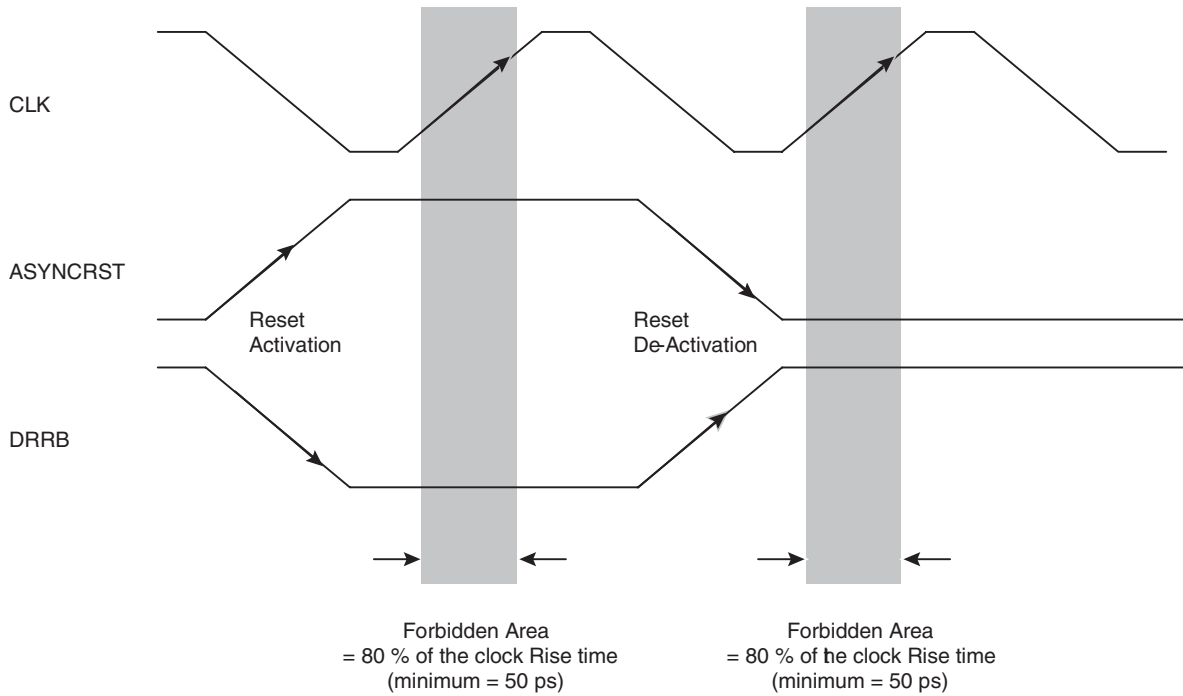


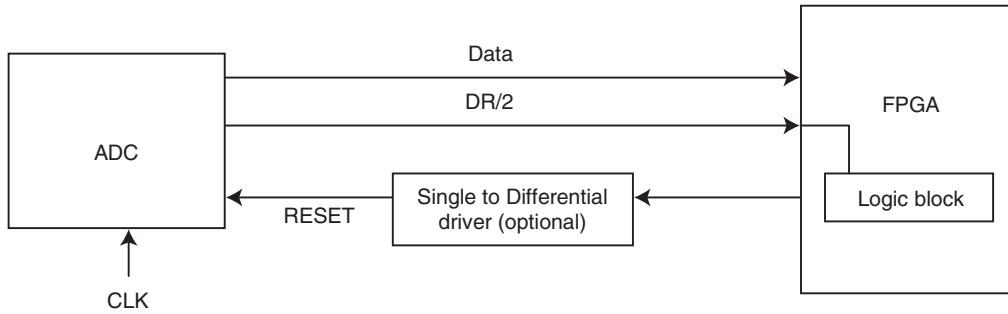
Table 4-1. Reset Timing Characteristics

Table 4-2.

Parameter	Symbol	Min.	Typ.	Max.	Unit
Reset to Data Ready (Reset activation)	TRDR1		4		ns
Reset to Data Ready (Reset De-activation)	TRDR2	0		6	ns
Forbidden Area		50	80% of the input clock Rise Time		ns
Reset Minimum Pulse Width		1			ns

4.2 Example of Synopsis

Figure 4-5. Proposed Implementation Scheme



The idea is that the reset signal is generated using the output clock of the ADC which has a phase relationship with the input clock.

The reset signals can be generated inside the FPGA using the following sequence:

The Internal Reset goes high on the first rising edge of the Data ready clock and remains high until the next Data Ready rising edge, it then goes low until the next interruption (restart or external interruption) for example.

A driver can be used between the FPGA and the ADC. The same references as mentioned previously in the section dedicated to the reset when the clock is held low apply.

Figure 4-6. Reset Implementation Using the Output Clock (1:4 DMUX, DR/2 Mode) - Principle

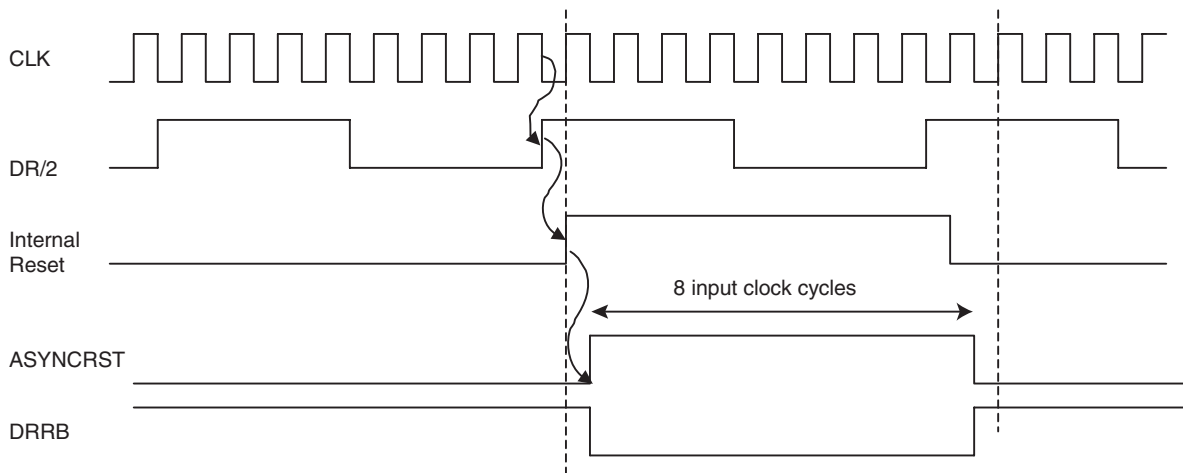
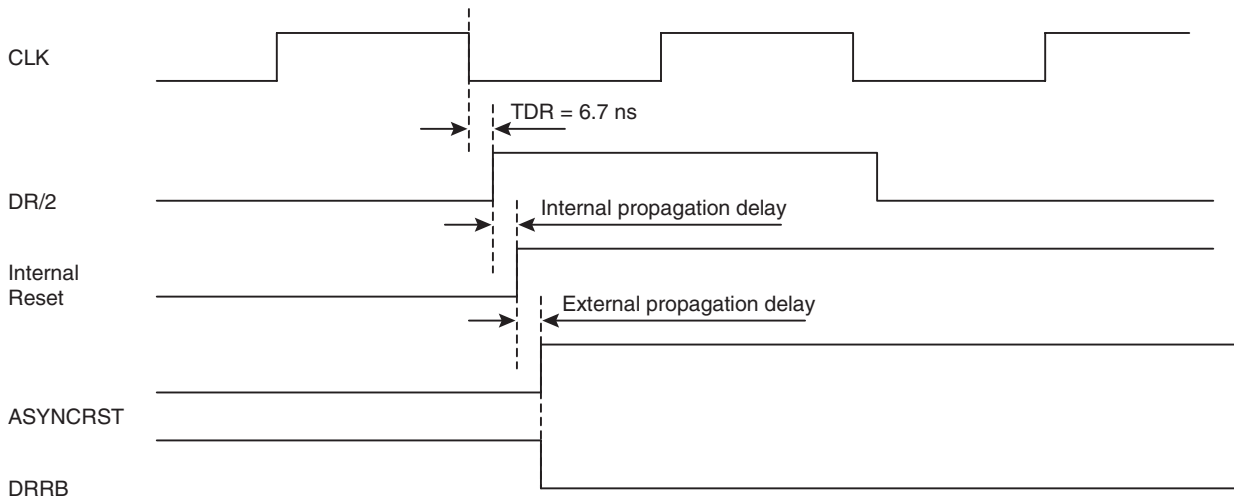


Figure 4-7. Timing Requirements



What is important is to ensure that the total delay between the input clock falling edge and the reset (ASYNCRST) rising edge is different from a multiple of half the clock period so that the reset edge will never occur during a forbidden zone as described previously:

- $TDR + \text{Internal propagation delay} + \text{External propagation delay} \neq N \times T_{clk}/2$
- with N integer number (N = 0, 1, 2, ...etc.).
- and TDR = 6.7 ns



How to reach us

Home page: www.e2v.com

Sales Office:

Northern Europe

e2v ltd

106 Waterhouse Lane
Chelmsford
Essex CM1 2QU
England
Tel: +44 (0)1245 493493
Fax: +44 (0)1245 492492
E-Mail: enquiries@e2v.com

Southern Europe

e2v sas

16 Burospace
F-91572 Bièvres
Cedex
France
Tel: +33 (0) 16019 5500
Fax: +33 (0) 16019 5529
E-Mail: enquiries-fr@e2v.com

Germany and Austria

e2v gmbh

Industriestraße 29
82194 Gröbenzell
Germany
Tel: +49 (0) 8142 41057-0
Fax: +49 (0) 8142 284547
E-Mail: enquiries-de@e2v.com

Americas

e2v inc.

4 Westchester Plaza
Elmsford
NY 10523-1482
USA
Tel: +1 (914) 592 6050 or
1-800-342-5338,
Fax: +1 (914) 592-5148
E-Mail: enquiries-na@e2v.com

Asia Pacific

e2v

Bank of China Tower
30th floor office 7
1 Garden Rd Central
Hong Kong
Tel: +852 2251 8227/8/9
Fax: +852 2251 8238
E-Mail: enquiries-hk@e2v.com

Product Contact:

e2v

Avenue de Rochepleine
BP 123 - 38521 Saint-Egrève Cedex
France
Tel: +33 (0)4 76 58 30 00

Hotline:

hotline-bdc@e2v.com

Whilst e2v has taken care to ensure the accuracy of the information contained herein it accepts no responsibility for the consequences of any use thereof and also reserves the right to change the specification of goods without notice. e2v accepts no liability beyond that set out in its standard conditions of sale in respect of infringement of third party patents arising from the use of tubes or other devices in accordance with information contained herein.